

SPLIT-CORE CURRENT TRANSDUCER

JC16FXXX-RMS

UL US E344623 CE RoHS2 COMPLIANT



The Split-core Current Transducer, RMS Series, is designed for energy management, with a convenient connection to electronic submeter. It may also be applied for current measurement in a system of distributed power line carriers (PLCs) or remote controls such as SCADA software for automation and supervision. Other applications include security and condition monitoring, load monitoring, in protection systems, and for predictive maintenance of conveyers, pumps or HVAC motors.

APPLICATIONS

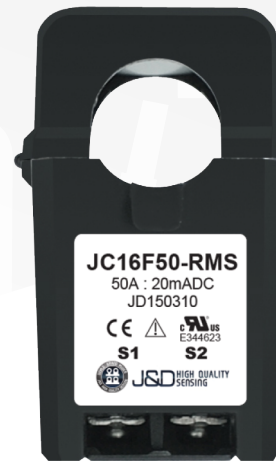
- HVAC & Pumps
- Refrigeration
- Small Industrial Motors
- Fans
- Lighting

BENEFITS

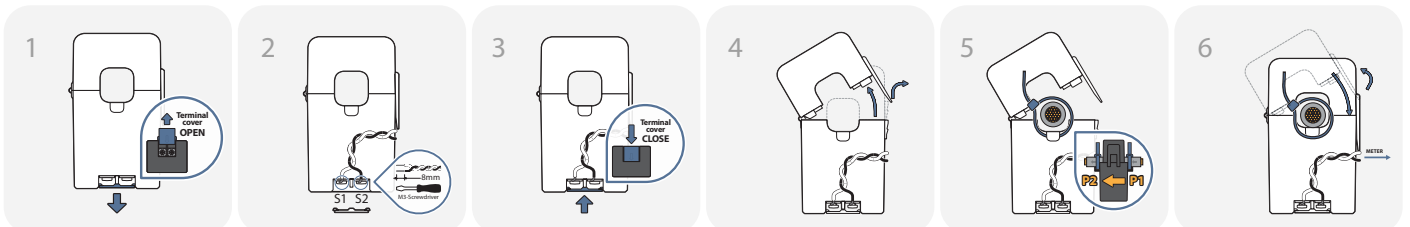
- Small-size, light-weight
- Simple Installation
- Over-Voltage protection circuit is installed.

FEATURES

- Nylon-spring, output-terminal, secure locking hinge, one-touch structure makes easy to install to the existent equipments such as a power distribution boards.
- Isolated plastic case recognized according to UL94-V0
- UL / EN 61010 -1 certified



HOW TO USE



※ Please refer to "Split-core Current Transformer Installation Guide" for further details.

⚠ CAUTION: DANGER ⚠

HAZARD OF ELECTRIC SHOCK, EXPLOSION, OR ARC FLASH

- In order to guarantee safe operation of the transformer, please read and understand the instructions thoroughly. For your reference, see NFPA 70E in the USA, or applicable local codes.
- Before servicing the CTs, turn off all sources of power and use a properly rated voltage sensing device to check if the power is off.
- Current transformer secondary must be shorted or connected to a burden all times.
- The transformer (split core type) must not be operated when it is not fully closed or the installation is not completed.
- Rearrange all covers and protective devices before powering the equipment.
- A qualified person is the one who is skilled and has knowledge about the construction and operation of this electrical equipment, and has received safety training to recognize and avoid the hazards involved. (NEC2011 Article 100)

🔔 NOTICE

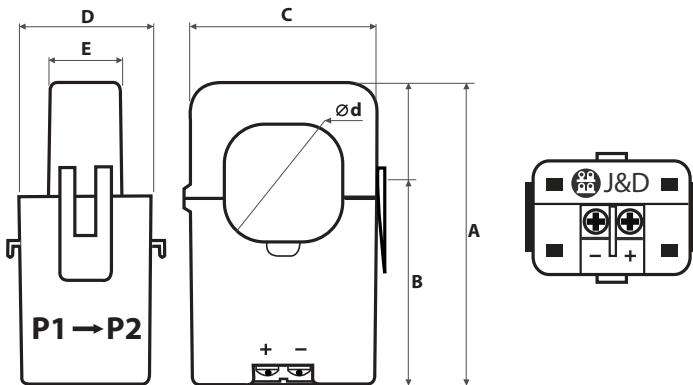
- If you impact the core contact surface, internal core material could be damaged.
- Please use only the original output screws. Not recommended to replace it with anything else.
- Clean the contact surface and make sure to remove all debris on the contact parts.
- This product is not intentionally made for safety applications.
- Make sure not to install this transformer in hazardous or classified areas.
- The installer is responsible for conformance to all applicable codes.
- Ignoring the warnings can lead to serious injury and/or cause damages.
- If this product is used in a way not specified by the manufacturer, the protection offered by the product may be impaired. No responsibility is taken by J&D Electronics for any consequences arising by not following this material properly.

SPECIFICATION

(F=50/60Hz)

Model	JC16FXXX-RMS / Ø16
Rated Current (A)	5, 10, 20, 25, 50, 100
Max. Allowable Current	120%(Continuous)/ 150%(1 min.)
Output	4-20mA DC (RMS)/0-Rated Current (Load resistance: < 600Ω at P/S: 24V)
Accuracy / Linearity	±2% FS. Dynamic Range 1:100 at 50/60Hz Sinewave
Sensor Supply Voltage	24V DC Loop Power (20-30 V DC(25mA Max.))
Response Time	100ms
Output Ripple Voltage	Within 2% of Output Voltage
Output Terminals	2 x M3-Screw, with Terminals cover
Insulation Category	CAT III
Operating Condition	-20°C~+50°C, <85%RH, No condensation, In-house & Any direction installable
Storage Condition	-20°C~+60°C/ ≤85%RH, No condensation

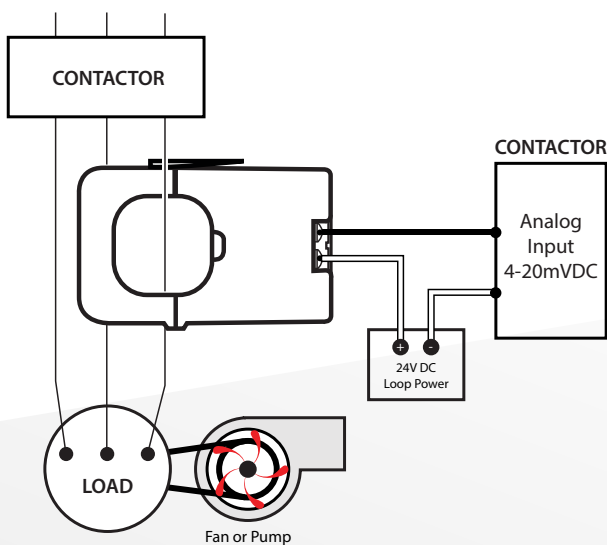
DIMENSIONS



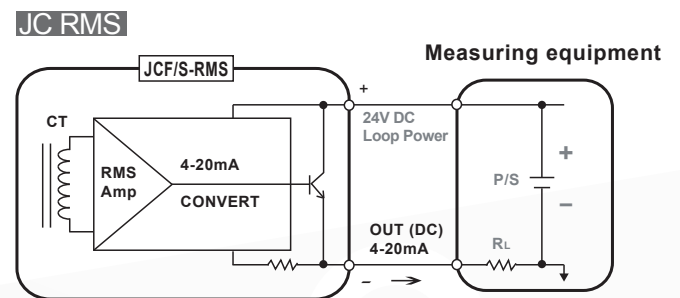
Unit : mm

Model	A	B	C	D	E	Ød
JC16F	55	41	29.5	31	19	16

APPLICATIONS



INTERNAL CIRCUIT DRAWINGS



2-Wire Transmission method (Loop powered)
using P/S(+ side) of Measuring equipment